
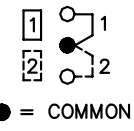
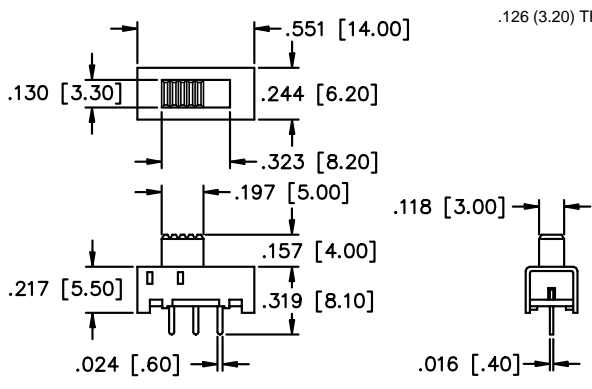
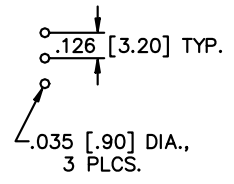

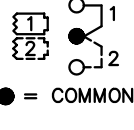
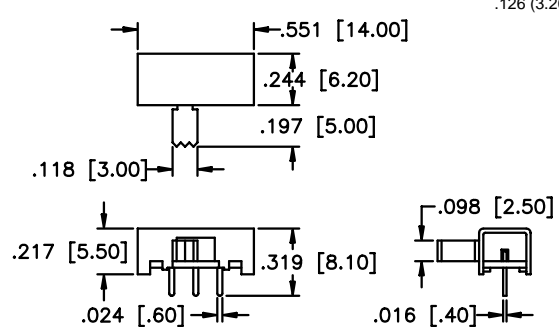
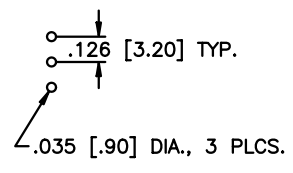
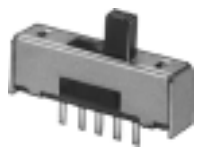
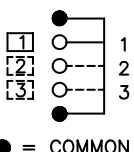
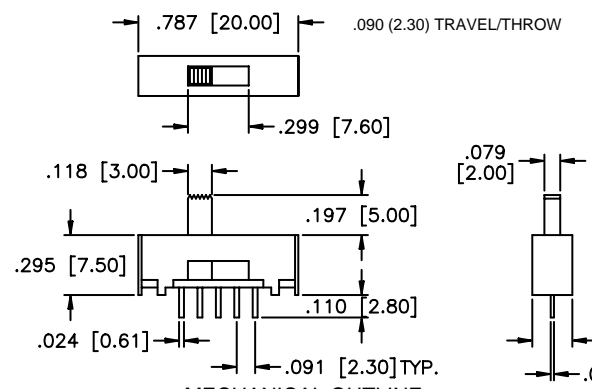
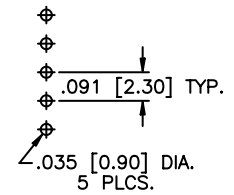


SLB Series

(with p.c. board stand-off bracket)

Miniature Slide Switches

SPECIFICATIONS	FEATURES
<p>Contact ratings: 300 mA at 125 VAC or 30 VDC</p> <p>Initial contact resistance: 20 milliohms max.</p> <p>Insulation resistance: 100 megohms min. at 500 VDC</p> <p>Dielectric strength: 500 volts RMS for 1 minute</p> <p>Electrical life: 10,000 cycles min.</p> <p>Operating temperature range: -20°C to +85°C</p> <p>Actuation force: 220g ± 100g</p> <p>Solder heat resistance: 260°C max. for 3 seconds</p> <p>Solvent washing permissible</p>	<ul style="list-style-type: none"> ● Miniature compact size. ● Wash-through open frame construction. ● Positive spring loaded ball detent mechanism. ● Epoxy sealed terminals.
	MATERIALS
	<p>Contacts & terminals: Silver plated</p> <p>Frame: Zinc plated steel</p> <p>Actuator: Thermoplastic</p> <p>Base: Phenolic laminated sheet</p> <p style="text-align: right;">Terminal seal: Epoxy</p>

MODEL NO.			
SLB12814			
 <p>VERTICAL ACTUATOR</p>	<p>1P2T</p>  <p>● = COMMON</p>	 <p>MECHANICAL OUTLINE</p>	 <p>P.C. BOARD LAYOUT</p>
MODEL NO.			
SLB1281R5			
 <p>RIGHT ANGLE ACTUATOR</p>	<p>1P2T</p>  <p>● = COMMON</p>	 <p>MECHANICAL OUTLINE</p>	 <p>P.C. BOARD LAYOUT</p>
MODEL NO.			
SLB1370			
 <p>VERTICAL ACTUATOR</p>	<p>1P3T</p>  <p>● = COMMON</p>	 <p>MECHANICAL OUTLINE</p>	 <p>P.C. BOARD LAYOUT</p>


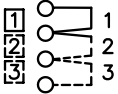
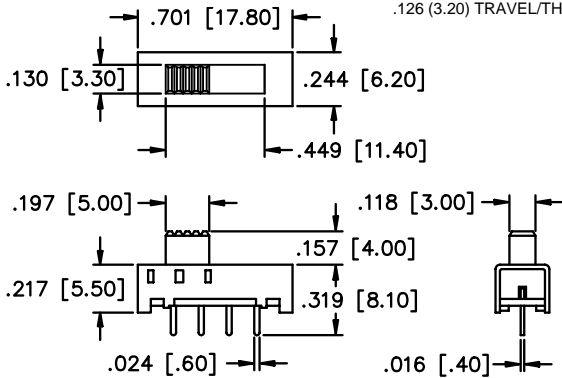
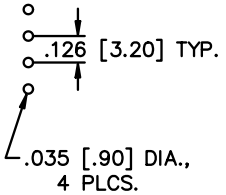

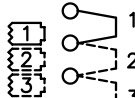
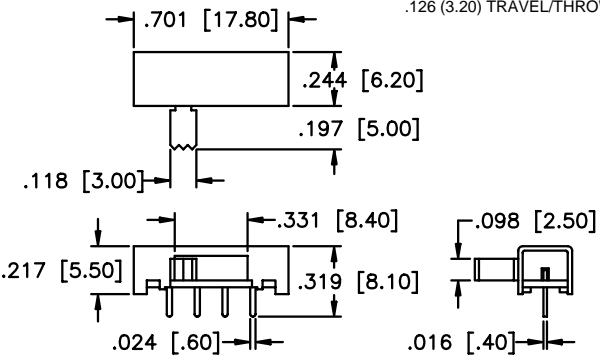
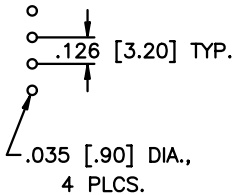
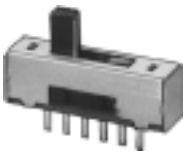
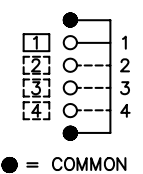
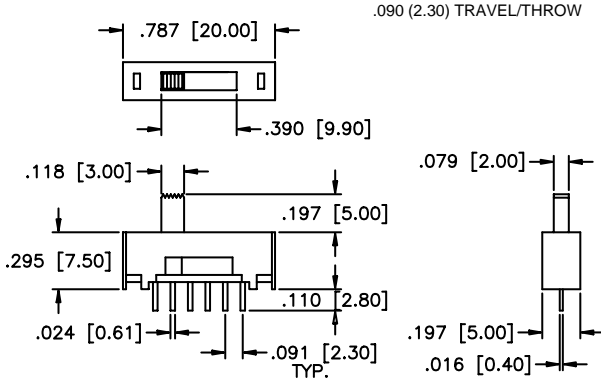
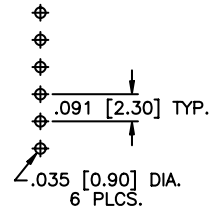

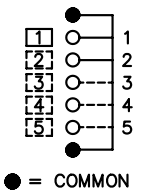
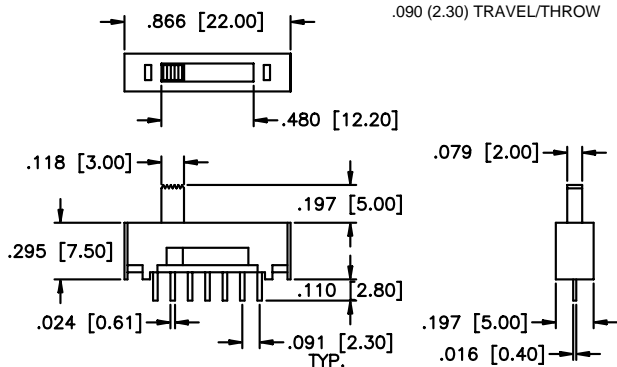
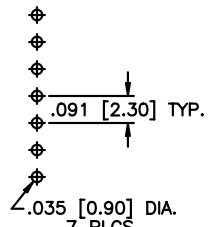
SPECIFICATIONS SUBJECT TO CHANGE WITHOUT NOTICE

SLB Series

(with p.c. board stand-off bracket)

Miniature Slide Switches

SPECIFICATIONS SUBJECT TO CHANGE WITHOUT NOTICE


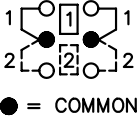
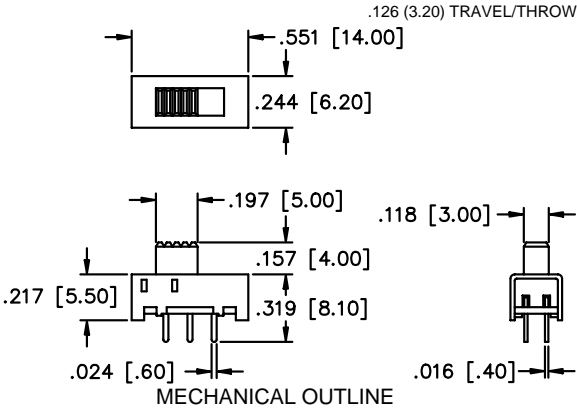
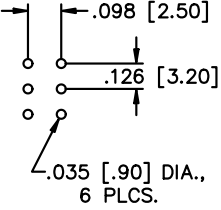

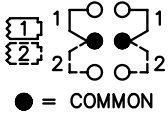
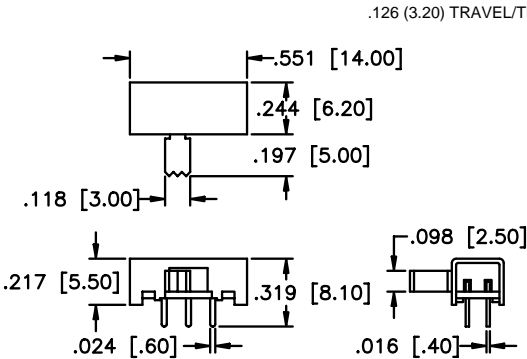
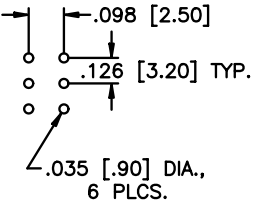

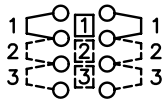
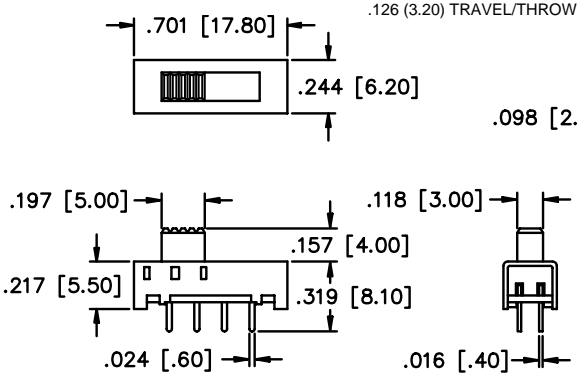
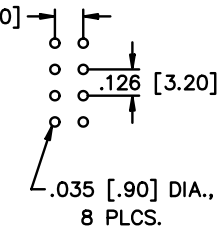

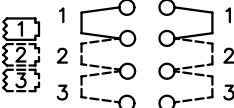
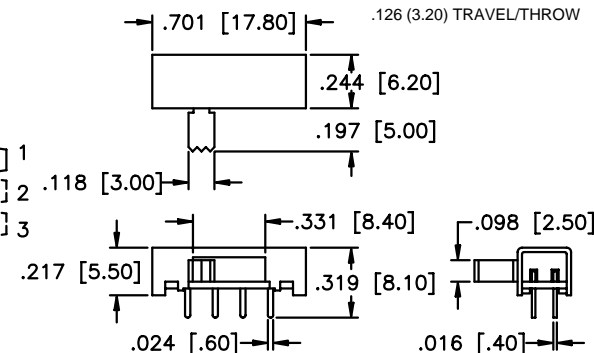
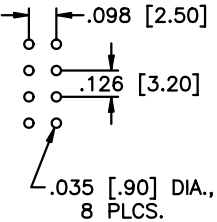
<p>MODEL NO.</p> <p>SLB13814</p>  <p>VERTICAL ACTUATOR</p>	<p>1P3T</p>  <p>SCHMATIC</p>	<p style="text-align: right;">.126 (3.20) TRAVEL/THROW</p>  <p>MECHANICAL OUTLINE</p>	 <p>P.C. BOARD LAYOUT</p>
<p>MODEL NO.</p> <p>SLB1381R5</p>  <p>RIGHT ANGLE ACTUATOR</p>	<p>1P3T</p>  <p>SCHMATIC</p>	<p style="text-align: right;">.126 (3.20) TRAVEL/THROW</p>  <p>MECHANICAL OUTLINE</p>	 <p>P.C. BOARD LAYOUT</p>
<p>MODEL NO.</p> <p>SLB1470</p>  <p>VERTICAL ACTUATOR</p>	<p>1P4T</p>  <p>SCHMATIC</p>	<p style="text-align: right;">.090 (2.30) TRAVEL/THROW</p>  <p>MECHANICAL OUTLINE</p>	 <p>P.C. BOARD LAYOUT</p>
<p>MODEL NO.</p> <p>SLB1570</p>  <p>VERTICAL ACTUATOR</p>	<p>1P5T</p>  <p>SCHMATIC</p>	<p style="text-align: right;">.090 (2.30) TRAVEL/THROW</p>  <p>MECHANICAL OUTLINE</p>	 <p>P.C. BOARD LAYOUT</p>

SLB Series

(with p.c. board stand-off bracket)

Miniature Slide Switches

SPECIFICATIONS SUBJECT TO CHANGE WITHOUT NOTICE

<p>MODEL NO.</p> <p>SLB22814</p>  <p>VERTICAL ACTUATOR</p>	<p>2P2T</p> <p style="text-align: right;">.126 (3.20) TRAVEL/THROW</p>  <p>● = COMMON</p>  <p>MECHANICAL OUTLINE</p>  <p>P.C. BOARD LAYOUT</p>
<p>MODEL NO.</p> <p>SLB2281R5</p>  <p>RIGHT ANGLE ACTUATOR</p>	<p>2P2T</p> <p style="text-align: right;">.126 (3.20) TRAVEL/THROW</p>  <p>● = COMMON</p>  <p>MECHANICAL OUTLINE</p>  <p>P.C. BOARD LAYOUT</p>
<p>MODEL NO.</p> <p>SLB23814</p>  <p>VERTICAL ACTUATOR</p>	<p>2P3T</p> <p style="text-align: right;">.126 (3.20) TRAVEL/THROW</p>   <p>MECHANICAL OUTLINE</p>  <p>P.C. BOARD LAYOUT</p>
<p>MODEL NO.</p> <p>SLB2381R5</p>  <p>RIGHT ANGLE ACTUATOR</p>	<p>2P3T</p> <p style="text-align: right;">.126 (3.20) TRAVEL/THROW</p>   <p>MECHANICAL OUTLINE</p>  <p>P.C. BOARD LAYOUT</p>


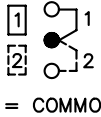
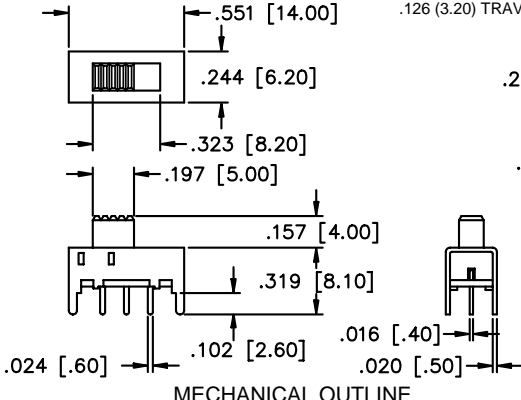
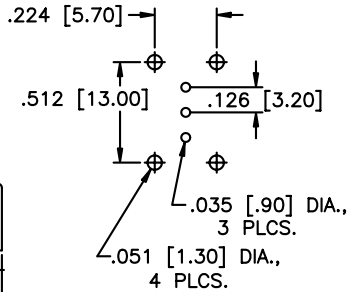

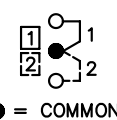
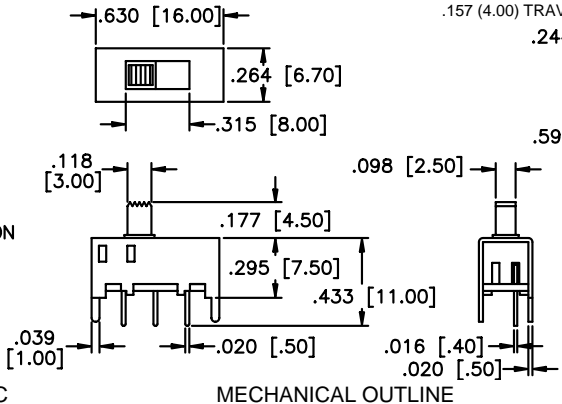
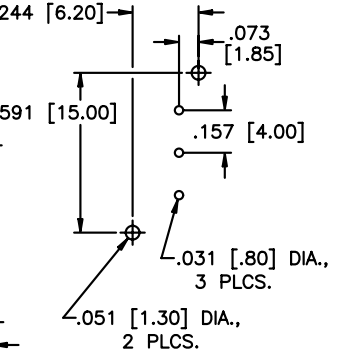

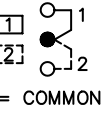
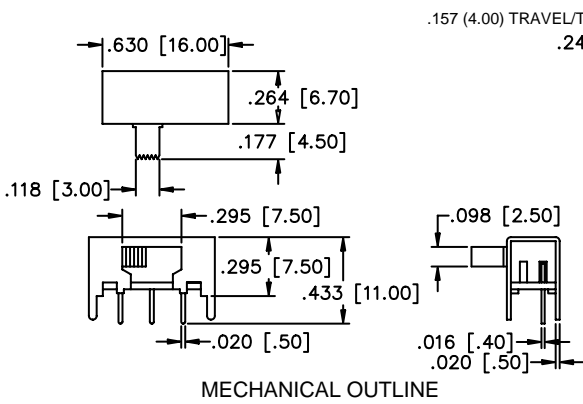
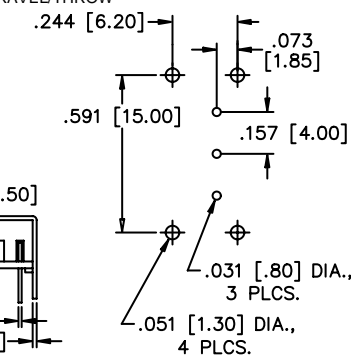
SLB Series

(with thru- p.c. board hole mounting bracket)

Miniature Slide Switches

SPECIFICATIONS SUBJECT TO CHANGE WITHOUT NOTICE


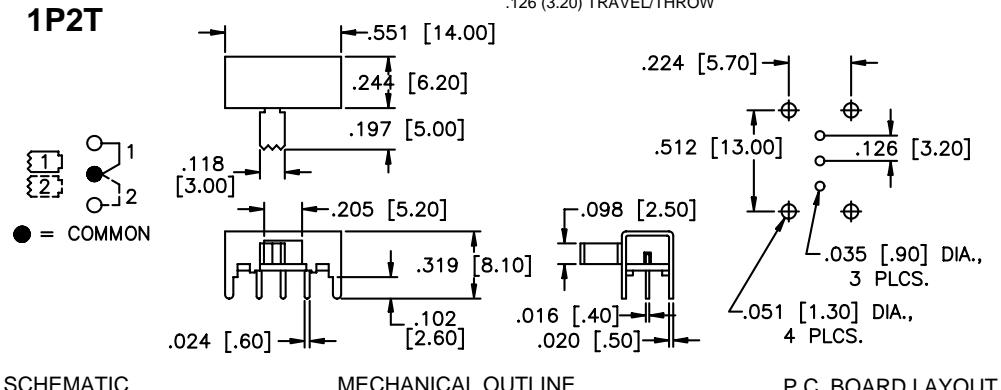

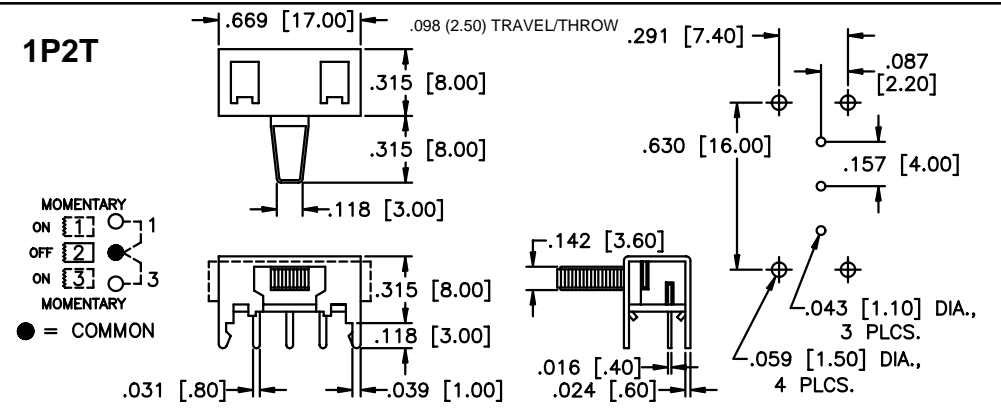
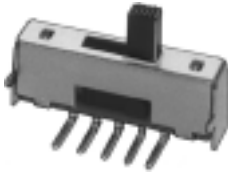
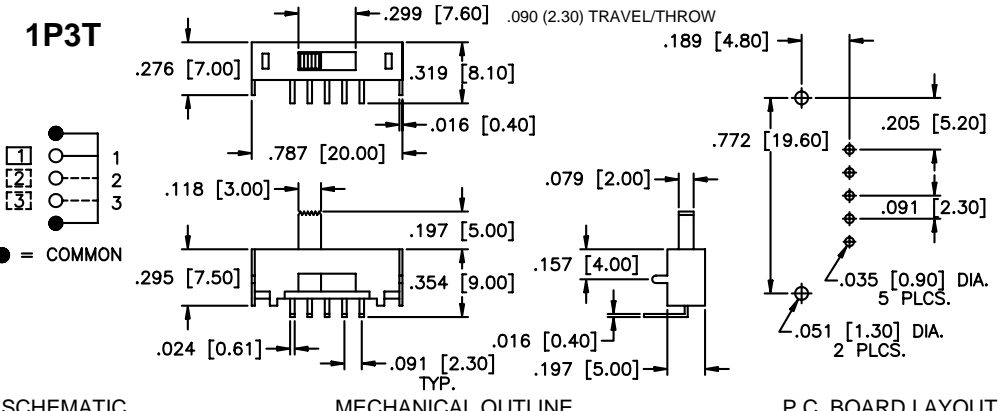

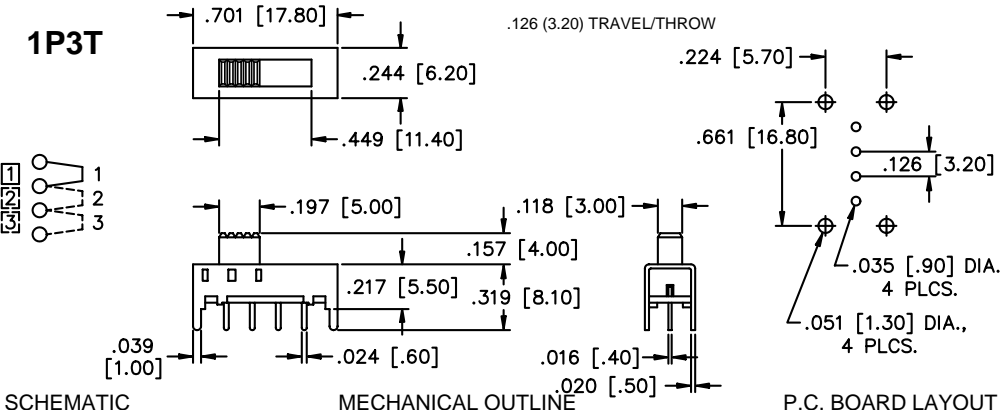
SPECIFICATIONS	FEATURES
<p>Contact ratings: 300 mA at 125 VAC or 30 VDC</p> <p>Initial contact resistance: 20 milliohms max.</p> <p>Insulation resistance: 100 megohms min. at 500 VDC</p> <p>Dielectric strength: 500 volts RMS for 1 minute</p> <p>Electrical life: 10,000 cycles min.</p> <p>Operating temperature range: -20°C to +85°C</p> <p>Actuation force: 220g ± 100g</p> <p>Solder heat resistance: 260°C max. for 3 seconds</p> <p>Solvent washing permissible</p>	<ul style="list-style-type: none"> ● Miniature compact size. ● Wash-through open frame construction. ● Positive spring loaded ball detent mechanism. ● Epoxy sealed terminals.
	MATERIALS
	<p>Contacts & terminals: Silver plated</p> <p>Frame: Zinc plated steel</p> <p>Actuator: Thermoplastic</p> <p>Base: Phenolic laminated sheet</p> <p style="text-align: right;">Terminal seal: Epoxy</p>

MODEL NO.			
SLB12804			
	<p>1P2T</p>  <p>● = COMMON</p>	 <p>MECHANICAL OUTLINE</p>	 <p>P.C. BOARD LAYOUT</p>
SLB124145			
	<p>1P2T</p>  <p>● = COMMON</p>	 <p>MECHANICAL OUTLINE</p>	 <p>P.C. BOARD LAYOUT</p>
SLB1240R45			
	<p>1P2T</p>  <p>● = COMMON</p>	 <p>MECHANICAL OUTLINE</p>	 <p>P.C. BOARD LAYOUT</p>

SLB Series

(with thru-p.c. board hole mounting bracket)

Miniature Slide Switches

<p>MODEL NO.</p> <p>SLB1280R5</p>  <p>RIGHT ANGLE ACTUATOR</p>	<p style="text-align: right;">.126 (3.20) TRAVEL/THROW</p> <p>1P2T</p>  <p style="text-align: center;">SCHEMATIC MECHANICAL OUTLINE P.C. BOARD LAYOUT</p>
<p>MODEL NO.</p> <p>SLB1250R8</p>  <p>RIGHT ANGLE ACTUATOR</p>	<p style="text-align: right;">.098 (2.50) TRAVEL/THROW</p> <p>1P2T</p>  <p style="text-align: center;">SCHEMATIC MECHANICAL OUTLINE P.C. BOARD LAYOUT</p>
<p>MODEL NO.</p> <p>SLB1370R</p>  <p>RIGHT ANGLE ACTUATOR</p>	<p style="text-align: right;">.090 (2.30) TRAVEL/THROW</p> <p>1P3T</p>  <p style="text-align: center;">SCHEMATIC MECHANICAL OUTLINE P.C. BOARD LAYOUT</p>
<p>MODEL NO.</p> <p>SLB13804</p>  <p>VERTICAL ACTUATOR</p>	<p style="text-align: right;">.126 (3.20) TRAVEL/THROW</p> <p>1P3T</p>  <p style="text-align: center;">SCHEMATIC MECHANICAL OUTLINE P.C. BOARD LAYOUT</p>




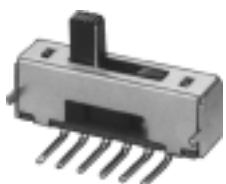
SPECIFICATIONS SUBJECT TO CHANGE WITHOUT NOTICE

SLB Series

(with thru-p.c. board hole mounting bracket)

Miniature Slide Switches

SPECIFICATIONS SUBJECT TO CHANGE WITHOUT NOTICE

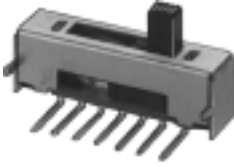
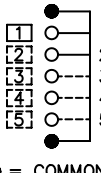
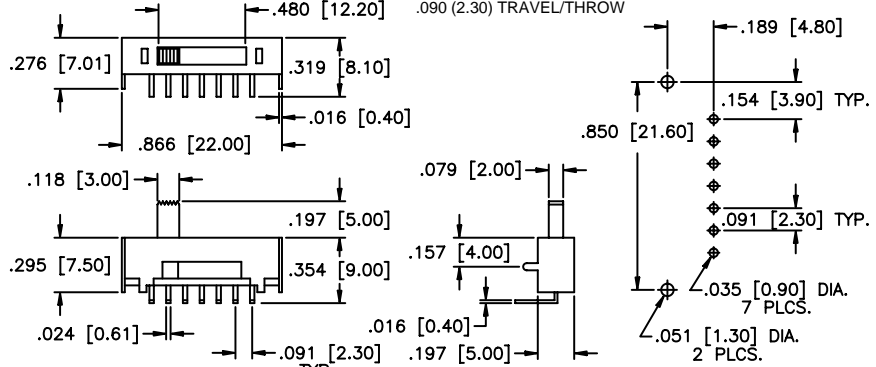

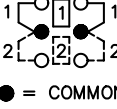
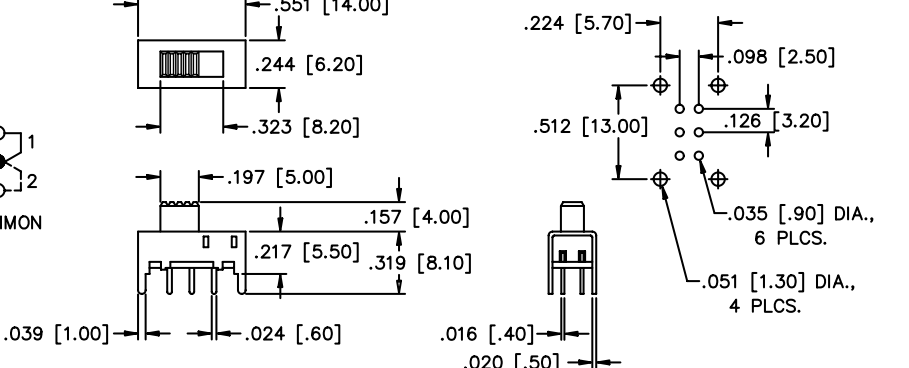
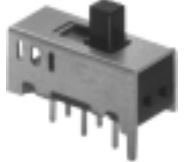
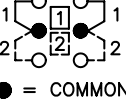
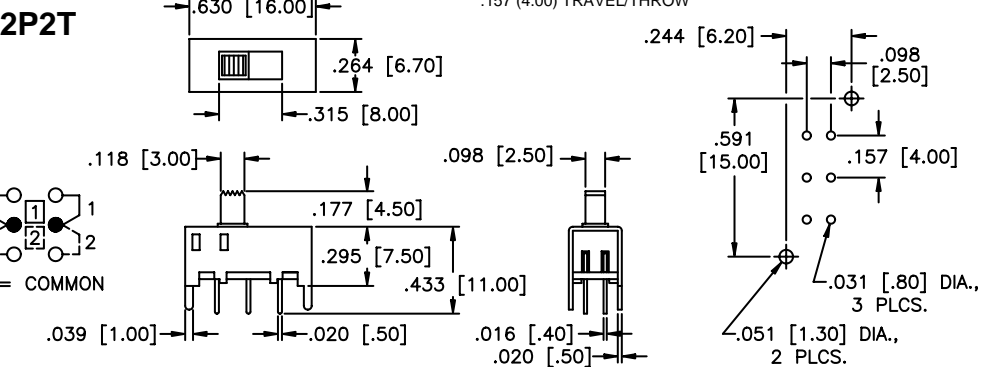

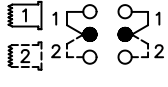
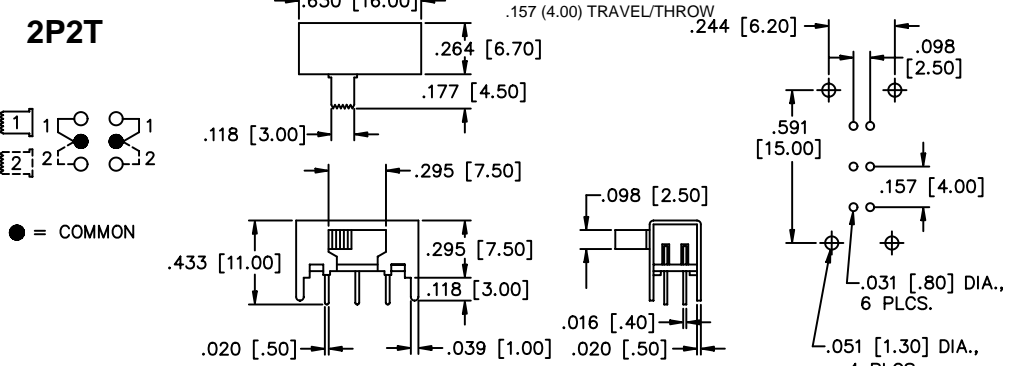
MODEL NO. SLB134145	<p>1P3T</p>  <p>VERTICAL ACTUATOR</p> <p>Schematic: 1P3T configuration with terminals 1, 2, 3. Terminal 2 is common.</p> <p>Mechanical Outline: Dimensions include .630 [16.00] total width, .079 (2.00) TRAVEL/THROW, .264 [6.70] actuator height, .315 [8.00] terminal spacing, .118 [3.00] terminal offset, .177 [4.50] internal width, .295 [7.50] base height, .433 [11.00] base length, .098 [2.50] actuator stem diameter, .020 [.50] base thickness, .244 [6.20] mounting hole spacing, .591 [15.00] mounting hole offset, .073 [1.85] mounting hole diameter, .157 [4.00] terminal offset, .079 [2.00] TYP. terminal diameter, .031 [.80] DIA., 4 PLCS. terminal diameter, .051 [1.30] DIA., 2 PLCS. mounting hole diameter, .016 [.40] base thickness.</p> <p>P.C. BOARD LAYOUT: Dimensions include .244 [6.20] mounting hole spacing, .591 [15.00] mounting hole offset, .073 [1.85] mounting hole diameter, .157 [4.00] terminal offset, .079 [2.00] TYP. terminal diameter, .031 [.80] DIA., 4 PLCS. terminal diameter, .051 [1.30] DIA., 2 PLCS. mounting hole diameter, .016 [.40] base thickness.</p>
MODEL NO. SLB1340R45	<p>1P3T</p>  <p>RIGHT ANGLE ACTUATOR</p> <p>Schematic: 1P3T configuration with terminals 1, 2, 3. Terminal 2 is common.</p> <p>Mechanical Outline: Dimensions include .630 [16.00] total width, .079 (2.00) TRAVEL/THROW, .264 [6.70] actuator height, .177 [4.50] internal width, .118 [3.00] terminal offset, .295 [7.50] base height, .433 [11.00] base length, .098 [2.50] actuator stem diameter, .020 [.50] base thickness, .244 [6.20] mounting hole spacing, .591 [15.00] mounting hole offset, .073 [1.85] mounting hole diameter, .157 [4.00] terminal offset, .079 [2.00] TYP. terminal diameter, .031 [.80] DIA., 4 PLCS. terminal diameter, .051 [1.30] DIA., 4 PLCS. mounting hole diameter, .016 [.40] base thickness, .039 [1.00] terminal offset.</p> <p>P.C. BOARD LAYOUT: Dimensions include .244 [6.20] mounting hole spacing, .591 [15.00] mounting hole offset, .073 [1.85] mounting hole diameter, .157 [4.00] terminal offset, .079 [2.00] TYP. terminal diameter, .031 [.80] DIA., 4 PLCS. terminal diameter, .051 [1.30] DIA., 4 PLCS. mounting hole diameter, .016 [.40] base thickness.</p>
MODEL NO. SLB1380R5	<p>1P3T</p>  <p>RIGHT ANGLE ACTUATOR</p> <p>Schematic: 1P3T configuration with terminals 1, 2, 3.</p> <p>Mechanical Outline: Dimensions include .701 [17.80] total width, .126 (3.20) TRAVEL/THROW, .244 [6.20] actuator height, .197 [5.00] internal width, .118 [3.00] terminal offset, .331 [8.40] internal width, .217 [5.50] base height, .319 [8.10] base length, .098 [2.50] actuator stem diameter, .024 [.60] base thickness, .102 [2.60] base length, .039 [1.00] terminal offset, .016 [.40] base thickness, .244 [6.20] mounting hole spacing, .661 [16.80] mounting hole offset, .126 [3.20] mounting hole diameter, .035 [.90] DIA., 4 PLCS. terminal diameter, .051 [1.30] DIA., 4 PLCS. mounting hole diameter, .020 [.50] base thickness.</p> <p>P.C. BOARD LAYOUT: Dimensions include .244 [6.20] mounting hole spacing, .661 [16.80] mounting hole offset, .126 [3.20] mounting hole diameter, .035 [.90] DIA., 4 PLCS. terminal diameter, .051 [1.30] DIA., 4 PLCS. mounting hole diameter, .020 [.50] base thickness.</p>
MODEL NO. SLB1470R	<p>1P4T</p>  <p>RIGHT ANGLE ACTUATOR</p> <p>Schematic: 1P4T configuration with terminals 1, 2, 3, 4. Terminal 2 is common.</p> <p>Mechanical Outline: Dimensions include .390 [9.90] total width, .090 (2.30) TRAVEL/THROW, .276 [7.00] actuator height, .319 [8.10] base length, .016 [0.40] base thickness, .787 [20.00] total length, .118 [3.00] terminal offset, .197 [5.00] internal width, .295 [7.50] base height, .354 [9.00] base length, .079 [2.00] actuator stem diameter, .024 [0.61] base thickness, .091 [2.30] TYP. base length, .016 [0.40] base thickness, .157 [4.00] mounting hole offset, .189 [4.80] mounting hole offset, .159 [4.05] terminal offset, .091 [2.30] TYP. terminal diameter, .035 [0.90] DIA., 6 PLCS. terminal diameter, .051 [1.30] DIA., 2 PLCS. mounting hole diameter, .020 [.50] base thickness.</p> <p>P.C. BOARD LAYOUT: Dimensions include .189 [4.80] mounting hole offset, .159 [4.05] terminal offset, .091 [2.30] TYP. terminal diameter, .035 [0.90] DIA., 6 PLCS. terminal diameter, .051 [1.30] DIA., 2 PLCS. mounting hole diameter, .020 [.50] base thickness.</p>

SLB Series

(with thru-p.c. board hole mounting bracket)

Miniature Slide Switches


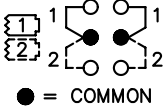
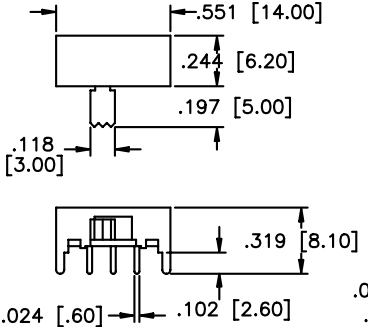
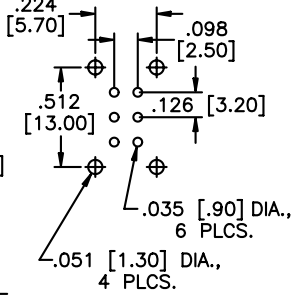

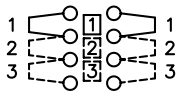
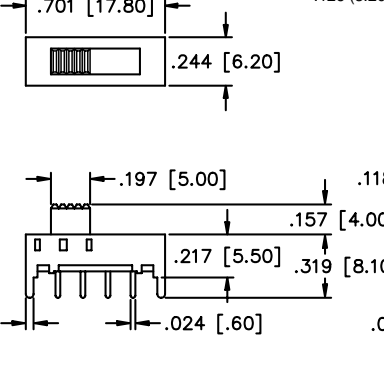
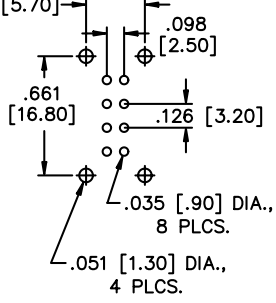
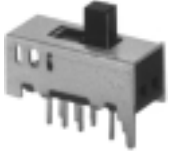
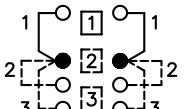
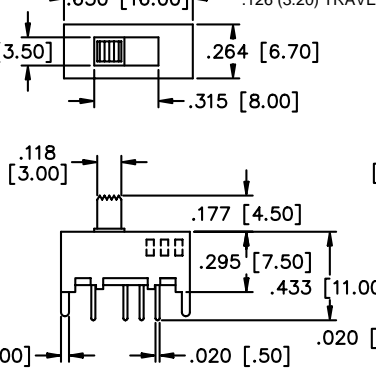
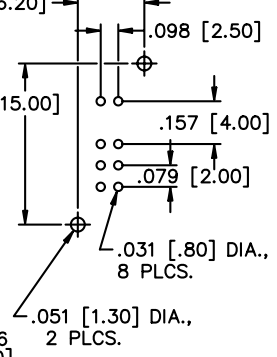

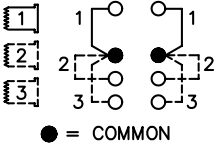
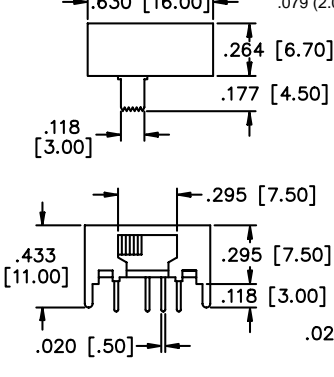
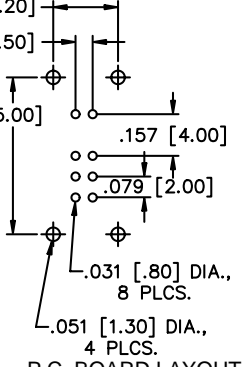
SPECIFICATIONS SUBJECT TO CHANGE WITHOUT NOTICE

<p>MODEL NO. SLB1570R</p>  <p>RIGHT ANGLE ACTUATOR</p>	<p>1P5T</p>  <p>● = COMMON</p>  <p>SCHEMATIC MECHANICAL OUTLINE P.C. BOARD LAYOUT</p>
<p>MODEL NO. SLB22804</p>  <p>VERTICAL ACTUATOR</p>	<p>2P2T</p>  <p>● = COMMON</p>  <p>SCHEMATIC MECHANICAL OUTLINE P.C. BOARD LAYOUT</p>
<p>MODEL NO. SLB224145</p>  <p>VERTICAL ACTUATOR</p>	<p>2P2T</p>  <p>● = COMMON</p>  <p>SCHEMATIC MECHANICAL OUTLINE P.C. BOARD LAYOUT</p>
<p>MODEL NO. SLB2240R45</p>  <p>RIGHT ANGLE ACTUATOR</p>	<p>2P2T</p>  <p>● = COMMON</p>  <p>SCHEMATIC MECHANICAL OUTLINE P.C. BOARD LAYOUT</p>

SLB Series

(with thru-p.c. board hole mounting bracket)
Miniature Slide Switches

SPECIFICATIONS SUBJECT TO CHANGE WITHOUT NOTICE

MODEL NO.	.126 (3.20) TRAVEL/THROW		
SLB2280R5	2P2T		
 <p>RIGHT ANGLE ACTUATOR</p>	 <p>● = COMMON</p>	 <p>MECHANICAL OUTLINE</p>	 <p>P.C. BOARD LAYOUT</p>
MODEL NO.	.126 (3.20) TRAVEL/THROW		
SLB23804	2P3T		
 <p>VERTICAL ACTUATOR</p>		 <p>MECHANICAL OUTLINE</p>	 <p>P.C. BOARD LAYOUT</p>
MODEL NO.	.126 (3.20) TRAVEL/THROW		
SLB234145	2P3T		
 <p>VERTICAL ACTUATOR</p>	 <p>● = COMMON</p>	 <p>MECHANICAL OUTLINE</p>	 <p>P.C. BOARD LAYOUT</p>
MODEL NO.	.079 (2.00) TRAVEL/THROW		
SLB2340R45	2P3T		
 <p>RIGHT ANGLE ACTUATOR</p>	 <p>● = COMMON</p>	 <p>MECHANICAL OUTLINE</p>	 <p>P.C. BOARD LAYOUT</p>